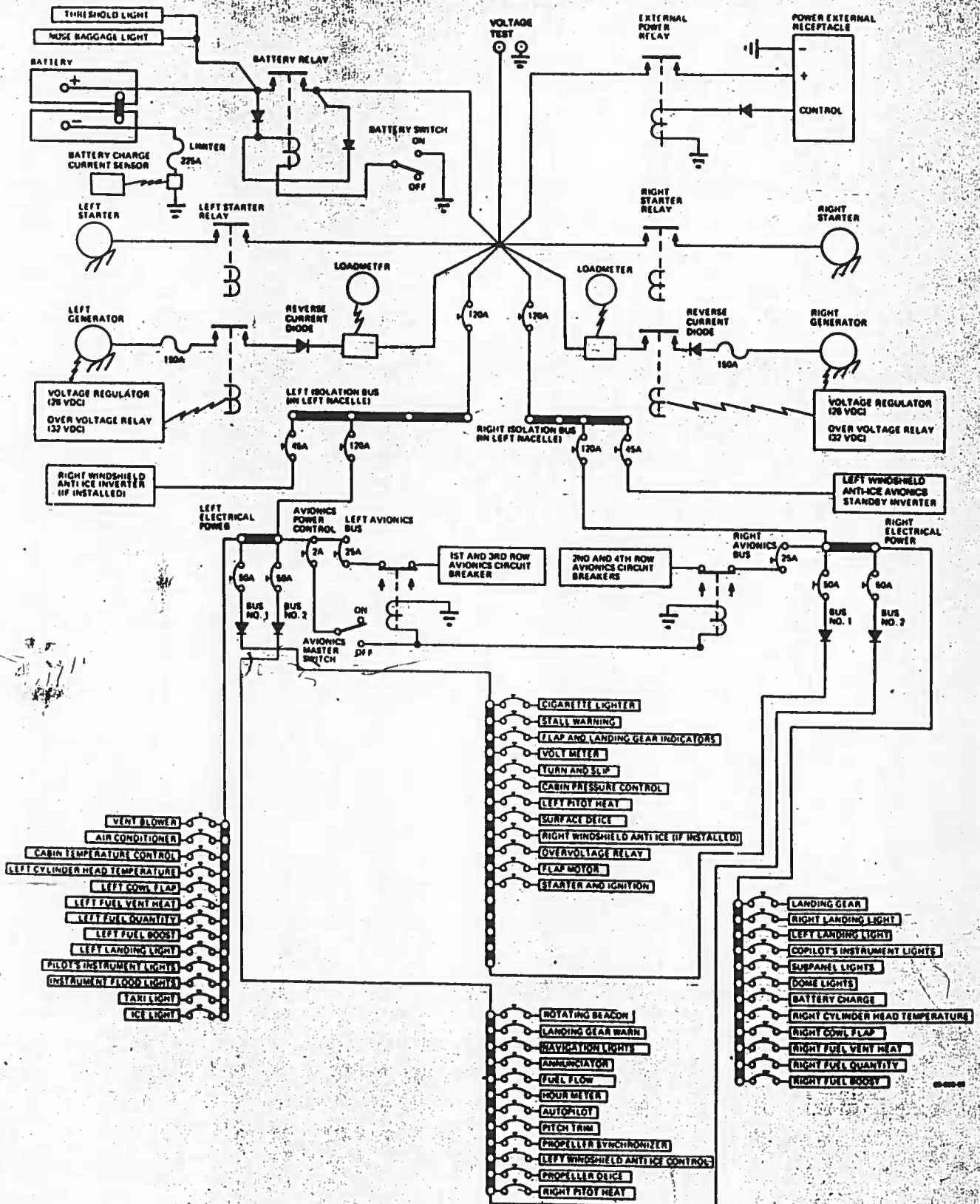


BEECHCRAFT DUKE 60 SERIES MAINTENANCE MANUAL



**Power Distribution Schematic (P-446 and after)
Figure 203**

